

# 起动机和发电机

## 基本型发电机 – 坚固耐用、设计紧凑、性价比高

Starter Motors and Generators

## New Baseline generators – robust, compact, particularly economical



**BOSCH**

博世 科技成就生活之美



### 产品介绍

#### Product description

针对电能需求较低的车型，博世开发出基本型发电机（NBL）。基本型发电机，设计紧凑，按全球统一标准本地化生产（本地化），尤其适合经济型小车。基本型发电机能很好地满足这类车型的需求。

For automobiles with lower and middle electrical energy requirements, Bosch has developed the New Baseline generators. These robust designed generators of compact design are manufactured within our framework of international production cooperation ( "local for local" ) and are particularly used in cost-favorable small cars. The functional capabilities and the performance of the New Baseline generators (NBL) has been specially matched to the requirements of this vehicle segment.

### 针对低功率输出范围的最经济解决方案

#### The most economical solution for the lower power-output range

基本型发电机覆盖了在1.0–1.8kW之间功率输出范围。6,000 rpm的转速可提供70–125安培的额定电流。因此这些发电机能为低排量的小型车和用电负荷较少的车辆提供稳定、有效的电能供应。

The New Baseline generators cover the performance range between 1.0 and 1.8 kW. A speed of 6,000 rpm provides a rated current of 70 to 125 Ampere. The generators thus supply enough energy for the reliable, efficient supply of small cars with low-capacity engines and vehicle electrical systems supplying with a limited number of electrical consumer units.

### 紧凑空间的理想选择

#### Ideal for tight spaces

118–121mm之间的超短设计使它们适合于安装在空间紧凑的发动机舱中。

With their particularly short design of between 118 and 121mm, they are also suitable for mounting where space in the engine compartment is tight.

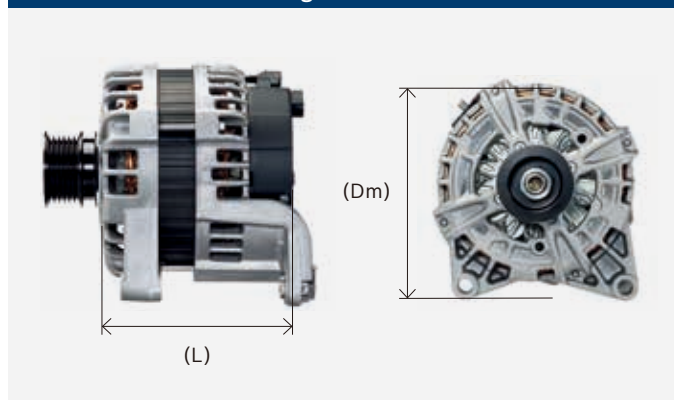
### 本地制造和应用

#### On-the-spot manufacture and application

基本型发电机在巴西、中国、南非、印度、墨西哥和欧洲生产。当然也会在这些国家实现本地化应用。通过这种方式，博世节省了时间和成本，直接和整车厂合作，使全球平台能适用于当地市场。

The New Baseline generators are manufactured in our production facilities in Brazil, China, South Africa and India, Mexico and Europe. Application is also carried out locally in the countries concerned. In this way we reduce time and expensive efforts, simplify direct cooperation with customers and permit the adaptation of global platforms to the different regional requirements.

## 基本型发电机 New Baseline generator



产品参数 Technical data of Volt version	下限/from	上限/to
额定电流 (A) at 1,800 rpm (A) Rated current at 1,800 rpm (A)	37	65
额定电流 (A) at 6,000 rpm (A) Rated current at 6,000 rpm (A)	70	125
VDA效率 (%) Efficiency, VDA (%) Efficiency, VDA (%)	54	66
3,500rpm下的电磁噪声 (dB) Magnetic noise (dB) up to 3,500 rpm	74	74
10,000rpm下的机械噪音 (dB) Aerodynamic noise (dB) at 10,000 rpm	94	94
不含皮带轮的长度 (mm) Length (L) without pulley (mm)	118	121
不含螺栓的外径 (mm) Diameter (Dm) without bolts (mm)	125	140
不含皮带轮的重量 (kg) Weight without pulley (kg)	4.3	5.5
转动惯量 (kg/cm <sup>2</sup> , 不含皮带轮) Inertia (kg/cm <sup>2</sup> , without pulley)	16.5	25

博世汽车部件 (长沙) 有限公司  
Bosch Automotive Products(Changsha) Co., Ltd.

地址: 湖南省长沙市星沙漓湘中路26号  
邮编: 410100  
Address: No.26, Lixiang Road Middle, Xingsha,  
Changsha Hunan, 410100, P.R.China  
电话/Tel: +86 731 8292 9110  
传真/Fax: +86 731 8292 9072

[www.bosch.com.cn](http://www.bosch.com.cn)

中国印刷  
SG-201403-CNEN